

PAIX Update

Stephen Stuart
Founder, VP Engineering
PAIX.net, Inc.

Acquisition Status

- Sale motion approved last week of January
- Waiting for the transaction to close
 - Legal staff closely monitoring semi-colon density for critical mass

Facts and Figures

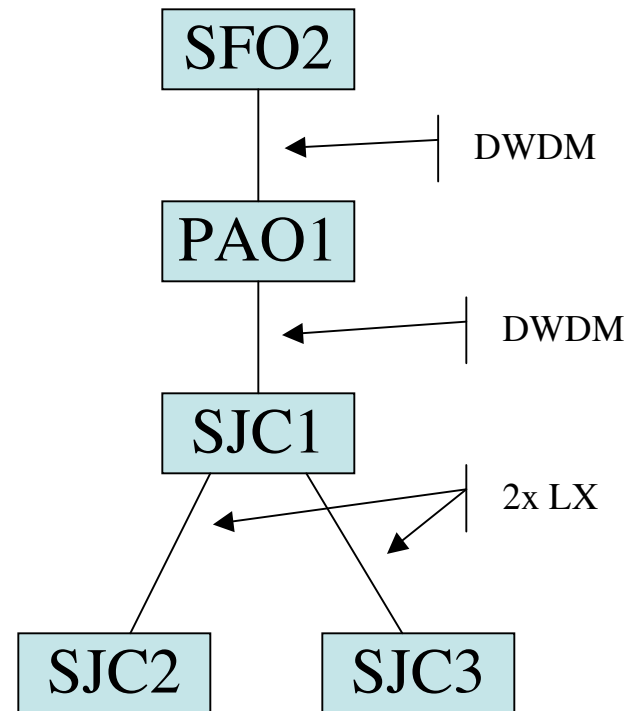
- 11th anniversary of interconnect in Palo Alto, 1/03
- 9 metros with PAIX, Peering by PAIX, etc. in US: NY, Philadelphia, Washington DC, Atlanta, Miami, Dallas, Seattle, San Francisco Bay area, Los Angeles
- 1 metro in Europe: Budapest
- Ethernet-based switching services, all kinds of cross-connects, that you know and love
- New services under development

Metro interconnections

- Up now:
 - Seattle: SIX and Pacific Wave
- Waiting for fiber terminations/jumpers:
 - Los Angeles: LAAP
 - Atlanta: SoX/SURA
- Discussions in progress:
 - Telehouse

Sample Metro: sfba fabric

- Five sites, PAO1 is “center”
- Two sites connected by DWDM systems
- Two sites connected by LX
- SFO2 = 200 Paul
- SJC{1,2} = MFN
- SJC3 = 55 S. Market



Sample Metro: puget fabric

- One site, SEA1 is “center”
- SEA1 = Westin
- Two other switch fabrics (Pacific Wave is actually two separate, so three)
- Off-floor connections via LX

